



FEATURES AT A GLANCE

- **G4 Technology** – Powerful digital controls and ultimate programming flexibility. Accelerated design and functionality are featured through an intuitive touch screen and icon-driven interface that provides users with training, programming options and seamless operation. Quick navigation to temperature, timers, pre-infusion, pulsing and more allow for finely tuned, exacting programming. Built-in self diagnostics provide preventive maintenance reminders to ensure consistent and reliable performance
- **Flexibility** – The flexible design of the CGC1 also allows you to use a variety of dispensers, up to 64 ounces. These include, the Curtis FreshTrac™ TFT64 and Curtis CLXP64 dispensers, and certain glass drippers by Chemex® and Kalita®
- **Single Cup Brew Basket (WC-3411-101) with Siphon Technology** – The true beauty of the single brew basket lies in the shape and geometry of its design. Uniform ridges gently hold the filter away from the sides and bottom to allow for optimum extraction. During the brewing process, the brew basket's siphon allows for a water level to rise to the perfect level without exiting. A pre-infusion in its purest form, this feature produces the true profile of the intended roast taste and experience
- **Pre-Wet/Wash Filter Function** – Many shops pre-wet their filters in an effort to remove any paper taste from interfering with the finished brew. The CGC1 has a pre-wet function that streams hot water over the paper filter to eliminate any undesirable paper taste prior to brewing
- **On-Site Updates** – With the CGC1 you can instantly update the firmware through its USB port. As new features become available, the CGC1 firmware can always stay current with a quick download from wilburcurtis.com to any USB flashdrive device. Simply plug the drive into the USB port, the machine will instantly reset and you are ready to go
- **Hot Water Faucet** – A standard feature, perfect for either pre-heating a cup or drawing hot water for tea



CGC1

Shown with WC-3621-101 Brew Basket & CLXP6401S100 Dispenser (Dispenser sold separately)



CGC1

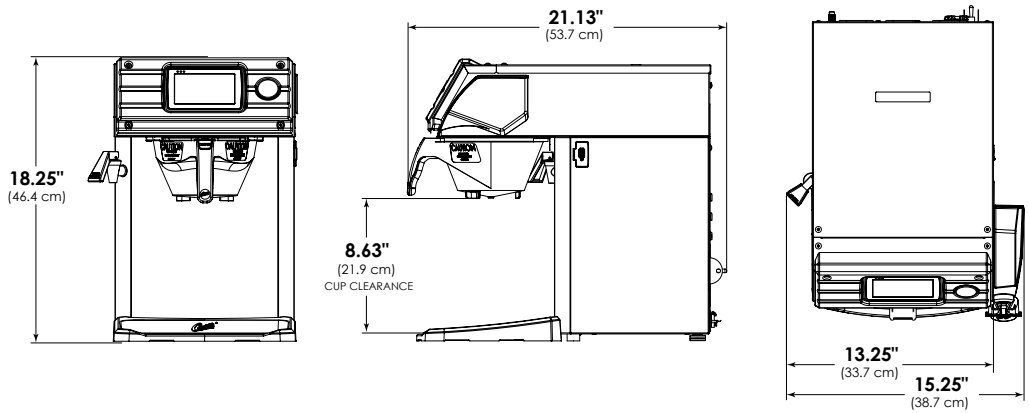
Shown with WC-3411-101 Brew Basket

The Curtis Single Cup® Brewer. Small, But Mighty.

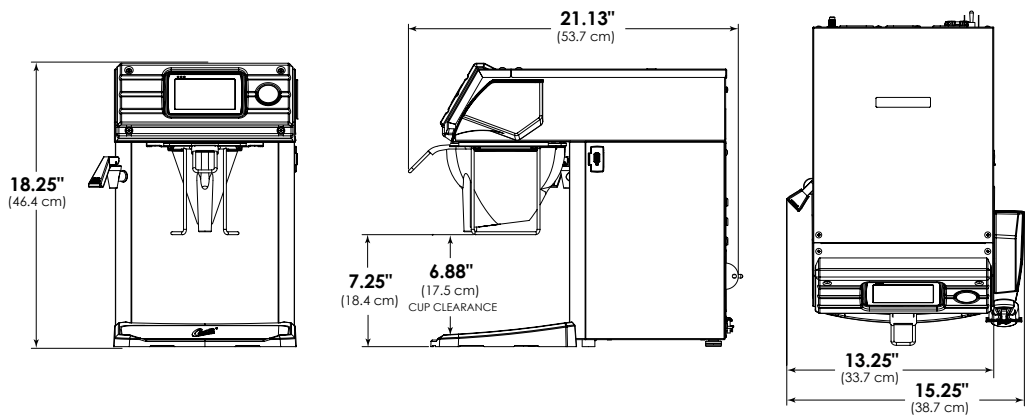
The single station is a complement to our twin CGC brewer. This low profile brewer can accommodate the Curtis WC-3621-101 brew basket, which allows you to batch brew up to 1/2 gallon at a time for periods of high demand, then switch to the single WC-3411-101 brew basket at other times to make just one cup.

Either way, this Curtis Gold Cup Brewer delivers coffee brewed to SCAA's Golden Cup standards, giving operators precise control over crucial variables such as time, temperature and contact time that results in brewing a true SCAA standard, Golden Cup of coffee.

**CGC1
With WC-3621-101
Brew Basket**



**CGC1
With WC-3411-101
Brew Basket**



Electrical Supply Requirements

MODEL #	PHASE	VOLTS	AMPS	HEATING CONFIG	WIRE	WATTS	HERTZ	GAL/HR
CGC1	1 PH	110/220V	12.5/10.8A	2X1450W	2W/3W+G	1500/2379W	50/60 Hz	4.3/5.0

Dimensions

MODEL #	HEIGHT	WIDTH	DEPTH	SHIP WEIGHT	SHIP CUBE
CGC1	18.25"	13.25"	21.13"	34.0 lbs.	5.3 cu. ft.

Water Supply Requirements

WATER CONNECT	WATER PRESSURE	MIN. FLOW RATE	WATER TANK VOL.
1/4" Flare	20 - 90 psi	1.0 GPM	1.7 Gal.

SPECIFICATIONS SUBJECT TO CHANGE WITHOUT NOTICE



WILBUR CURTIS CO., INC.
6913 Acco Street, Montebello, CA 90640-5403
Telephone: 800-421-6150 · 323-837-2300
Fax: 323-837-2406
www.wilburcurtis.com